



Cable jointing access chambers and pits

These products are installed to facilitate the jointing of cables and optical fibres.

The products are divided into two groups:

1. Cable jointing access chambers – worker-entry
2. Cable jointing pits – non worker-entry

Originally developed in collaboration with Telstra the prime driver for choosing concrete was that pits manufactured from other materials were unstable in areas of expansive and reactive soils. The extra mass generated by concrete provides the stability to ensure the integrity of the precast installation.

The collaborative approach between Humes and Telstra to produce a comprehensive range of precast cable jointing products has seen the continuous development and refinement of the range.

Benefits

Humes precast concrete pits offer significant advantages including:

- Humes keeps the inventory and only delivers to site when required
- reduced time that excavations need to be kept open
- no requirement for premix concrete on site
- no wastage of excess concrete and no clean up required
- no formwork costs
- 'at-strength' concrete on delivery
- Swiftlift® anchors enable easy handling
- strategically placed knockouts allows for uniform cable connection
- manufacture in steel moulds so dimensions are always the same.

Figure 1 – Cable jointing pit - J8

Length 1,250 mm
 Width 443 mm
 Height 900 mm

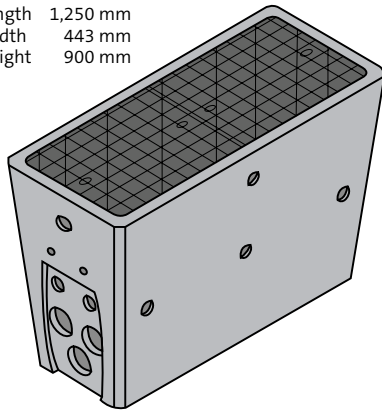


Figure 2 – Cable jointing pit - J9

Length 2,250 mm
 Width 705 mm
 Height 975 mm

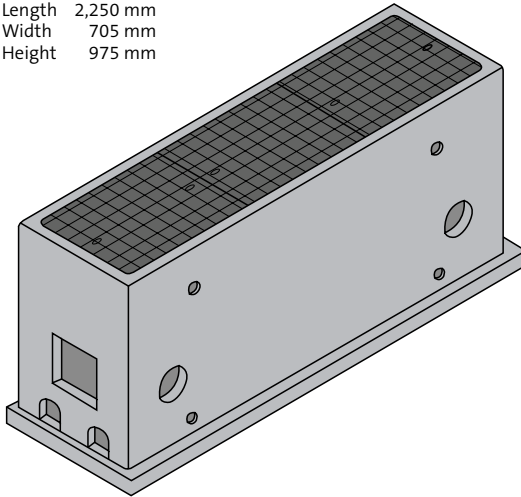


Figure 3 – Cable jointing access chamber - Type A

Length 1,600 mm
 Width 1,250 mm
 Height 1,060 mm

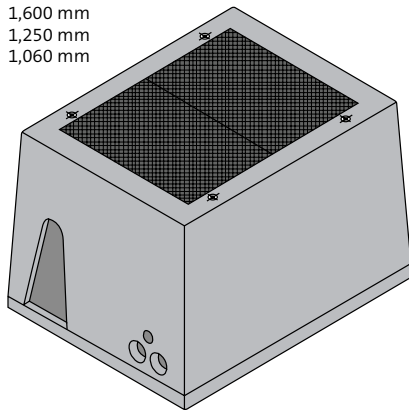


Figure 4 – Cable jointing access chamber - Type B (split)

Length 3,122 mm
 Width 1,130 mm
 Height 1,165 mm

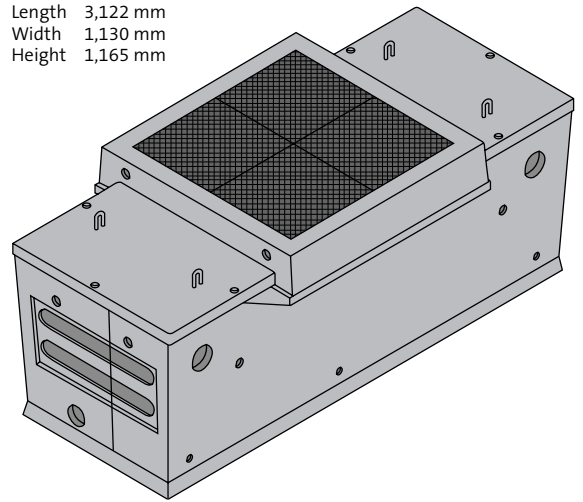
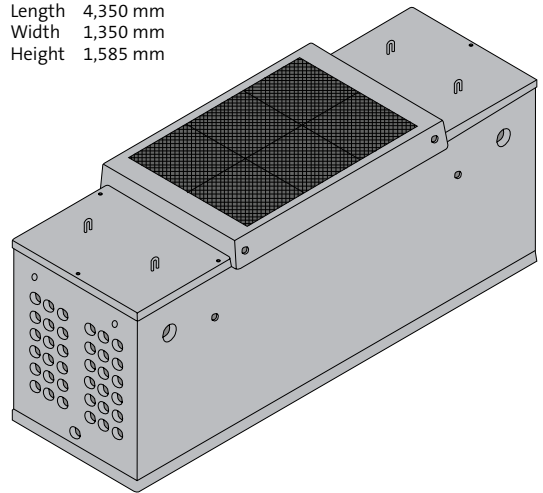


Figure 5 – Cable jointing access chamber - Type C

Length 4,350 mm
 Width 1,350 mm
 Height 1,585 mm



Humes

A Division of Holcim Australia

1300 361 601 | humes.com.au